

# POWERSPORTS WINCH



## Cub Series

2,000 - 3,000 - 4,000 lb pulling capacity

- 1 High efficiency, low amp. draw and sealed permanent magnet motor
- 2 Mechanical spring applied and permanent motor dynamic brake together
- 3 Full metal 3-stage planetary gear train for greater pulling force
- 4 Cam activated clutch device for rapid rope payout
- 5 Submersible sealed contactor handles high amps and allows higher duty cycle

COMEUP manufactures a complete line of powersports winches. COMEUP winches are always the best choice for a rider who needs help out of the mud, snow, ice or whatever obstacle stands in the way. Cub series winches are designed for endurance and reliability with features like a precision 3-stage planetary gear, center drum design, weather-sealed contactor, mechanical load holding, and easy-to-use handlebar rocker switch. If you are looking for a powerful Powersports winch to add versatility and dependability to your vehicle, we are confident we have what you want.

Standard Compliance:

CE Machinery Directive 2006/42/EC

CE Electromagnetic Compatibility Directive 2014/30/EU



▶ Limited Lifetime Warranty for Mechanical Components.

▶ One (1) Year Warranty for Electrical Components.

COMEUP  
LIMITED  
**LIFETIME**  
WARRANTY

## Cub 4s carry on

### 4,000 LB Powersports Portable Winch

PN 123930 12V (with wire rope, roller fairlead, remote control, 2" hitch receiver)



Note : Hawse fairlead does not mount to winch

#### SPECIFICATIONS :

**Rated line pull :** 1,814 kg (4,000 lb) single line  
**Motor :** 800 w / 1.0 hp, 12V permanent magnet  
**Gear train & ratio :** 3-stage planetary 191:1  
**Clutch (freespooling) :** Sliding pin and ring gear  
**Brake :** Mechanical spring applied and permanent magnet motor dynamic brakes together  
**Winch construction :** Aluminum die cast housings and drum  
**Drum size :** 55 x 119 mm (2.2" x 4.7")  
**Control :** Remote control w/3 m cord  
**Rope :** Synthetic rope, 5.5 mm x 15.2 m (7/32" x 50")  
**Recommended battery :** 550 CCA minimum for winching  
**Battery lead :** 1.8 m (6') 6 gauge battery lead  
**Mounting bolt pattern :** 76 x 168 mm (3" x 6.6")  
**Winch weight (including rope) :** 12.2 kg / 26.9 lb  
**Gross weight :** 19.1 kg / 42.1 lb  
**Box dimension, (L x D x H) :** 410 x 200 x 345 mm (16.1" x 7.9" x 13.6")

#### PERFORMANCE DATA :

##### Line Pull and Rope Capacity

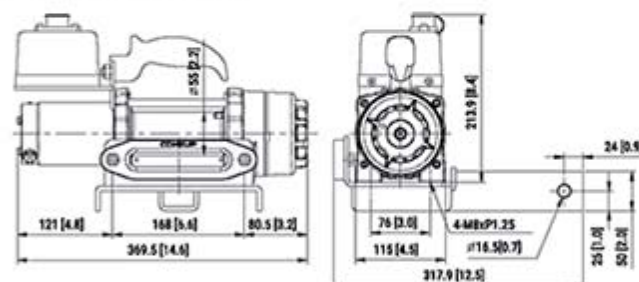
Layer of Rope	Pull by Layer, kg / lb	Total Rope on the Drum, m / ft
1 <sup>st</sup>	1,814 / 4,000	4.0 / 13.2
2 <sup>nd</sup>	1,535 / 3,385	8.8 / 28.8
3 <sup>rd</sup>	1,331 / 2,933	14.2 / 46.7
4 <sup>th</sup>	1,174 / 2,588	15.2 / 50

##### Line Speed and Amp. Draw (1<sup>st</sup> layer of rope on the drum)

Line Pull kg / lb	Line Speed, mpm / fpm	Amp. Draw, A 12V
No Load	6.0 / 19.7	15
454 / 1,000	3.4 / 11.2	70
907 / 2,000	2.9 / 9.5	120
1,361 / 3,000	2.4 / 7.9	180
1,814 / 4,000	2.0 / 6.6	230



#### DIMENSION mm/in :



#### Standard Accessories

- ① Synthetic rope 5.5 mm x 15.2 m, PN 881993
- ② Clevis hook, PN 881997
- ③ Control box w/handle, PN 882239
- ④ Remote control w/3 m cord, PN 881305
- ⑤ Hawse fairlead, PN 881072
- ⑥ 2" hitch receiver, PN 882241
- ⑦ Base plate bracket, PN 880269
- ⑧ Quick Connector wiring kit, PN 882252
- ⑨ Mounting hardware, PN 882369

## Cub 4/4s

### 4,000 LB Powersports Winch

Cub 4 PN 123920 12V (with wire rope, roller fairlead)

Cub 4s PN 129410 12V (with synthetic rope, hawse fairlead)



Note : Roller/Hawse fairlead does not mount to winch

#### SPECIFICATIONS :

**Rated line pull :** 1,814 kg (4,000 lb) single line  
**Motor :** 800 w / 1.0 hp, 12V permanent magnet  
**Gear train & ratio :** 3-stage planetary 191:1  
**Clutch (freespooling) :** Sliding pin and ring gear  
**Brake :** Mechanical spring applied and permanent magnet motor dynamic brakes together  
**Winch construction :** Aluminum die cast housings and drum  
**Drum size :** 55 x 119 mm (2.2" x 4.7")  
**Control :** Handlebar rocker switch  
**Rope :** Cub 4 : Galvanized aircraft A7 x 19, 5.5 mm x 15.2 m (7/32" x 50')  
 Cub 4s : Synthetic rope, 5.5 mm x 15.2 m (7/32" x 50')  
**Recommended battery :** 550 CCA minimum for winching  
**Battery lead :** 1.8 m (6') 6 gauge battery lead  
**Mounting bolt pattern :** 76 x 168 mm (3" x 6.6")  
**Winch weight (including rope) :** Cub 4 : 8.9 kg / 19.6 lb  
 Cub 4s : 8 kg / 17.6 lb  
**Gross weight :** Cub 4 : 13.1 kg / 28.9 lb  
 Cub 4s : 12 kg / 26.4 lb  
**Box dimension, (L x D x H) :** 380 x 362 x 144 mm (15" x 14.3" x 5.7")

#### PERFORMANCE DATA :

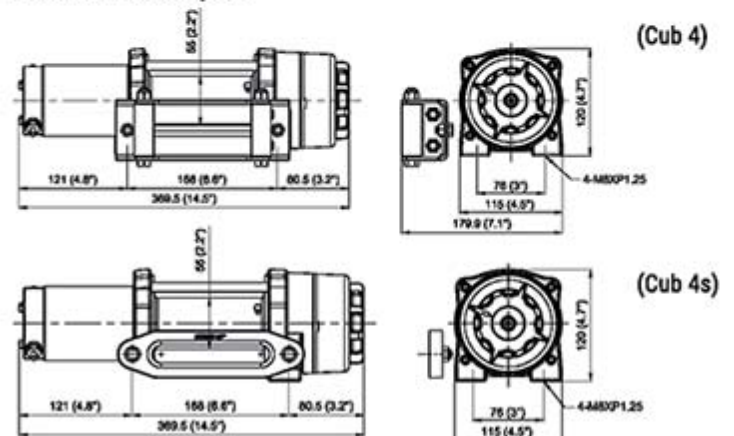
##### Line Pull and Rope Capacity

Layer of Rope	Pull by Layer, kg / lb	Total Rope on the Drum, m / ft
1 <sup>st</sup>	1,814 / 4,000	4.0 / 13.2
2 <sup>nd</sup>	1,535 / 3,385	8.8 / 28.8
3 <sup>rd</sup>	1,331 / 2,933	14.2 / 46.7
4 <sup>th</sup>	1,174 / 2,588	15.2 / 50

##### Line Speed and Amp. Draw (1<sup>st</sup> layer of rope on the drum)

Line Pull kg / lb	Line Speed, mpm / fpm	Amp. Draw, A 12V
No Load	6.0 / 19.7	15
227 / 500	3.9 / 12.8	45
454 / 1,000	3.4 / 11.2	70
680 / 1,500	3.1 / 10.2	90
907 / 2,000	2.9 / 9.5	120
1,134 / 2,500	2.7 / 8.9	150
1,361 / 3,000	2.4 / 7.9	180
1,588 / 3,500	2.2 / 7.2	210
1,814 / 4,000	2.0 / 6.6	230

#### DIMENSION mm/in :



# Cub 3/3s

## 3,000 LB Powersports Winch

Cub 3 PN 123561 12V (with wire rope, roller fairlead)

Cub 3s PN 129300 12V (with synthetic rope, hawse fairlead)



Note : Roller/Hawse fairlead does not mount to winch

### SPECIFICATIONS :

Rated line pull : 1,361 kg (3,000 lb) single line

Motor : 800 w / 1.0 hp, 12V permanent magnet

Gear train & ratio : 3-stage planetary 138.5:1

Clutch (freespooling) : Sliding pin and ring gear

Brake : Mechanical spring applied and permanent magnet motor dynamic brakes together

Winch construction : Aluminum die cast housings and drum

Drum size : 55 x 75 mm (2.2" x 3")

Control : Handlebar rocker switch

Rope : Cub 3 : Galvanized aircraft A7 x 19, 4.8 mm x 15.2 m (3/16" x 50')

Cub 3s : Synthetic rope, 4.8 mm x 15.2 m (3/16" x 50')

Recommended battery : 550 CCA minimum for winching

Battery lead : 1.8 m (6') 6 gauge battery lead

Mounting bolt pattern : 76 x 124 mm (3" x 4.9")

Winch weight (including rope) : Cub 3 : 8.2 kg / 18 lb

Cub 3s : 7.2 kg / 15.9 lb

Gross weight : Cub 3 : 12.5 kg / 27.6 lb

Cub 3s : 11.5 kg / 25.3 lb

Box dimension, (L x D x H) : 349 x 331 x 144 mm (13.7" x 13" x 5.7")

### PERFORMANCE DATA :

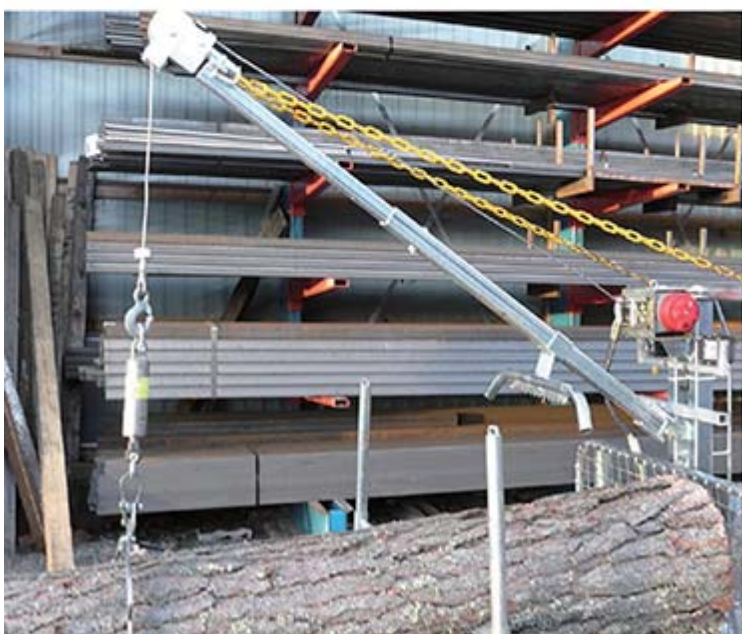
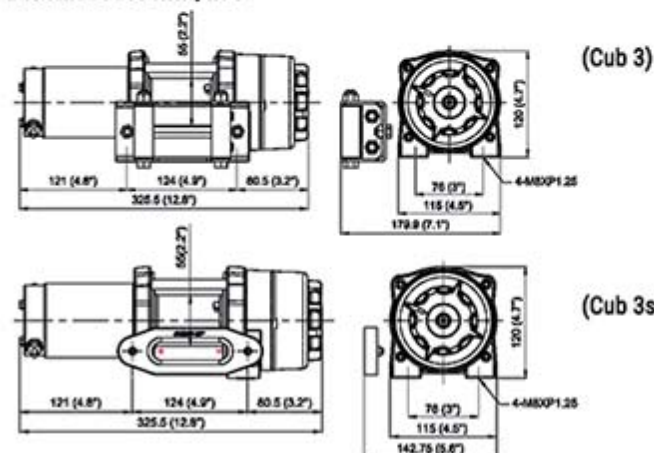
#### Line Pull and Rope Capacity

Layer of Rope	Pull by Layer, kg / lb	Total Rope on the Drum, m / ft
1 <sup>st</sup>	1,361 / 3,000	2.8 / 9.3
2 <sup>nd</sup>	1,173 / 2,585	6.1 / 20.1
3 <sup>rd</sup>	1,030 / 2,271	9.9 / 32.5
4 <sup>th</sup>	918 / 2,025	14.1 / 46.3
5 <sup>th</sup>	829 / 1,827	15.2 / 50

#### Line Speed and Amp. Draw (1<sup>st</sup> layer of rope on the drum)

Line Pull kg / lb	Line Speed, mpm / fpm	Amp. Draw, A 12V
No Load	6.8 / 22.2	25
227 / 500	5.7 / 18.7	45
454 / 1,000	4.8 / 15.6	75
680 / 1,500	3.8 / 12.5	105
907 / 2,000	3.0 / 9.8	140
1,134 / 2,500	2.5 / 8.0	180
1,361 / 3,000	2.0 / 6.7	230

### DIMENSION mm/in :



## Cub 2/2s

### 2,000 LB Powersports Winch

Cub 2 PN 122012 12V (with wire rope, roller fairlead)

Cub 2s PN 122112 12V (with synthetic rope, hawse fairlead)



Note: Roller/Hawse fairlead does not mount to winch

#### SPECIFICATIONS :

Rated line pull : 907 kg (2,000 lb) single line

Motor : 600 w / 0.8 hp, 12V permanent magnet

Gear train & ratio : 3-stage planetary 103:1

Clutch (freespooling) : Cam activated

Brake : Mechanical spring applied and permanent magnet motor dynamic brakes together

Winch construction : Aluminum die cast drum and steel plate housings

Drum size : 38 x 75 mm (1.5" x 3.0")

Control : Handlebar rocker switch

Rope : Cub 2 : Galvanized aircraft A7 x 19, 4 mm x 15.2 m (5/32" x 50')

Cub 2s : Synthetic rope, 4 mm x 15.2 m (5/32" x 50')

Recommended battery : 550 CCA minimum for winching

Battery lead : 1.8 m (6') 6 gauge battery lead

Mounting bolt pattern : 76 x 124 mm (3" x 4.9")

Winch weight (including rope) : Cub 2 : 6.5 kg / 14.3 lb

Cub 2s : 6 kg / 13.2 lb

Gross weight : Cub 2 : 10 kg / 22 lb

Cub 2s : 9 kg / 19.8 lb

Box dimension, (L x D x H) : 296 x 223 x 140 mm (11.7" x 8.8" x 5.5")

#### PERFORMANCE DATA :

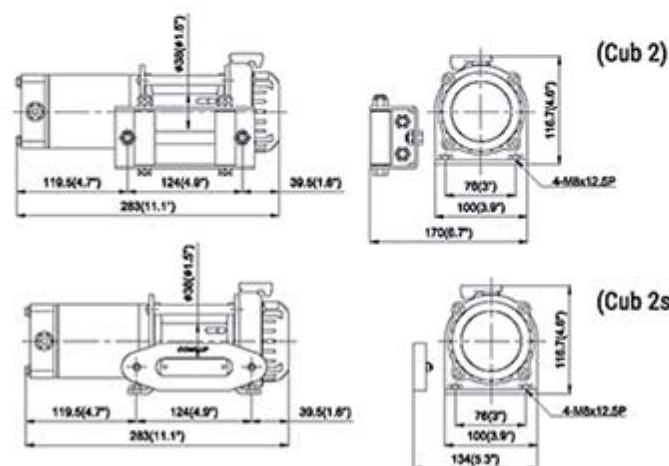
##### Line Pull and Rope Capacity

Layer of Rope	Pull by Layer, kg / lb	Total Rope on the Drum, m / ft
1 <sup>st</sup>	907 / 2,000	2.4 / 7.9
2 <sup>nd</sup>	762 / 1,680	5.3 / 17.4
3 <sup>rd</sup>	657 / 1,448	8.6 / 28.2
4 <sup>th</sup>	577 / 1,272	12.4 / 40.7
5 <sup>th</sup>	515 / 1,135	15.2 / 50

##### Line Speed and Amp. Draw (1<sup>st</sup> layer of rope on the drum)

Line Pull kg / lb	Line Speed, mpm / fpm	Amp. Draw, A 12V
No Load	6.1 / 20.0	20
302 / 666	4.6 / 15.1	50
605 / 1,334	3.1 / 10.2	100
907 / 2,000	2.0 / 6.6	150

#### DIMENSION mm/in :



# Powersports Winch Accessories

## Wireless Remote Control

**PN 883873** 2.4 Ghz with 27 m (90'), RF-24DP-D for Cub 2/2s/3/3s/4/4s

**PN 883870** 2.4 Ghz with 27 m (90'), RF-24DP-A for Cub 4s carry on



## Roller Fairlead

**PN 880231** 65 mm throat for Cub 2/3

**PN 880132** 109 mm throat for Cub 4



## Hawse Fairlead

**PN 881071** 65 mm throat for Cub 2s/3s

**PN 881072** 108 mm throat for Cub 4s/4s carry on



## Remote Control + Remote Socket

**PN 881305 + PN 881004** for Cub 2/2s/3/3s/4/4s

**PN 881305** for Cub 4s carry on



## Contactor w/lead

**PN 881385** 250A, 12V for Cub 2/2s/3/3s/4/4s/4s carry on



## Handlebar Switch Kit

**PN 881003** Rocker switch with cord for Cub 2/2s/3/3s/4/4s



## Contactor Pack

**PN 881037** 12V, Detachable contactor pack for Cub 2/2s/3/3s/4/4s



## Snatch Block

**PN 881080** Max. load 5,000 kg / 11,000 lb for Cub 4/4s/4s carry on

**PN 881081** Max. load 2,722 kg / 6,000 lb for Cub 2/2s/3/3s



## Wire Rope with Hook

**PN 880257** 4 mm x 15.2 m (5/32" x 50') w/stopper for Cub 2

**PN 881954** 4.8 mm x 15.2 m (3/16" x 50') w/stopper for Cub 3

**PN 881955** 5.5 mm x 15.2 m (7/32" x 50') w/stopper for Cub 4



## Synthetic Rope

**PN 881065** w/hook for Cub 2s

- 15.2 m (50') of 4 mm (5/32") diameter synthetic rope design for powersports winch application with line pull of 907 kg (2,000 lb) or less

**PN 881952** w/hook for Cub 3s

- 15.2 m (50') of 4.8 mm (3/16") diameter synthetic rope design for powersports winch application with line pull of 1,361 kg (3,000 lb) or less

**PN 881953** w/hook for Cub 4s

- 15.2 m (50') of 5.5 mm (7/32") diameter synthetic rope design for powersports winch application with line pull of 1,814 (4,000 lb) or less

**PN 881993** w/o hook for Cub 4s carry on

- 15.2 m (50') of 5.5 mm (7/32") diameter synthetic rope design for powersports winch application with line pull of 1,814 kg (4,000 lb) or less



## Hook

**PN 881997** 5/16" clevis hook for Cub 4s carry on



## Quick Connector

**PN 881075** 50A, for Cub 2/2s/3/3s/4/4s/4s carry on



## Powersports Winch Accessories Chart

Model Number	Cub 2	Cub 2s	Cub 3	Cub 3s	Cub 4	Cub 4s	Cub 4s carry on
Rated line pull							
kg	907	907	1,361	1,361	1,814	1,814	1,814
lb	2,000	2,000	3,000	3,000	4,000	4,000	4,000
Handlebar Switch Kit	●	●	●	●	●	●	-
Contactor Pack	●	●	●	●	●	●	-
Wire Rope w/Hook	●	-	●	-	●	-	-
Synthetic Rope w/Hook	-	●	-	●	-	●	●
Roller Fairlead	●	-	●	-	●	-	-
Hawse Fairlead	-	●	-	●	-	●	●
Handlebar Hardware	●	●	●	●	●	●	-
Mounting Hardware	●	●	●	●	●	●	●
Base Plate Kit	⊙	⊙	⊙	⊙	⊙	⊙	●
Handsaver Strap	●	●	●	●	●	●	●
Wireless Remote Control	⊙	⊙	⊙	⊙	⊙	⊙	⊙
Remote Control	⊙	⊙	⊙	⊙	⊙	⊙	●
Snatch Block	⊙	⊙	⊙	⊙	⊙	⊙	⊙

● Means as a standard accessory / ⊙ Means as an option accessory