

Easylift Hoist

Model: *EL-1000*

PN:360010 220V

Introduction

► Feature

- Lifting Load: 1,000 kg
- Max.Con Lifting: 15M
- Lifting speed: 2.4 m/min
- Motor output: 800w x 5.8A
- Brake: brakes for mechanical ratchet pawls and motor dynamic brake
- Control: Pendant switch powers the hoist

► Unpacking

- Hoist assembly 1pc
- Wire rope 6.3 mm x 15 m,A7x19 1pc
- Power lead 1.5 mm² x 3C x 3 m and plug 1pc
- Pendant switch PB-417 w/cord 1.25 mm² x 5C x 10 m 1pc

► Read this manual carefully

You should carefully read and understand this manual before operating it. Careless hoist operation may result in personal injury hazards or property damage.

► Information requesting or parts ordering

Please specify the followings information:

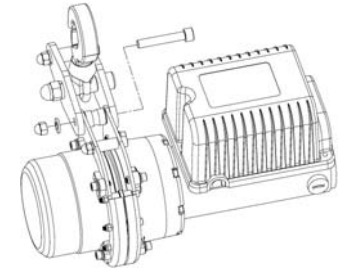
- Hoist PN · Part description · Quantity for each part
- Serial number · Replacement part number

Installation

Before using the hoist, make sure all electrical components have no corrosion or damaged; the environment should be clear and dry.

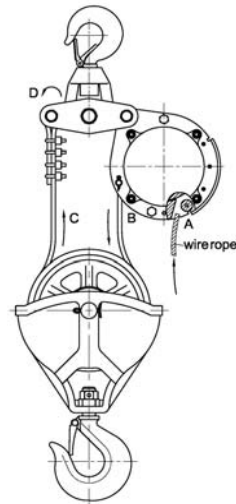
► Swivel hoist hook

1. Place the hook into sleeve B and install it in the center of motor support rack and gear support rack.
2. Insert M10x60L screw, M10 spring washer through the sleeve B, and fasten with M10 hex cap nut.

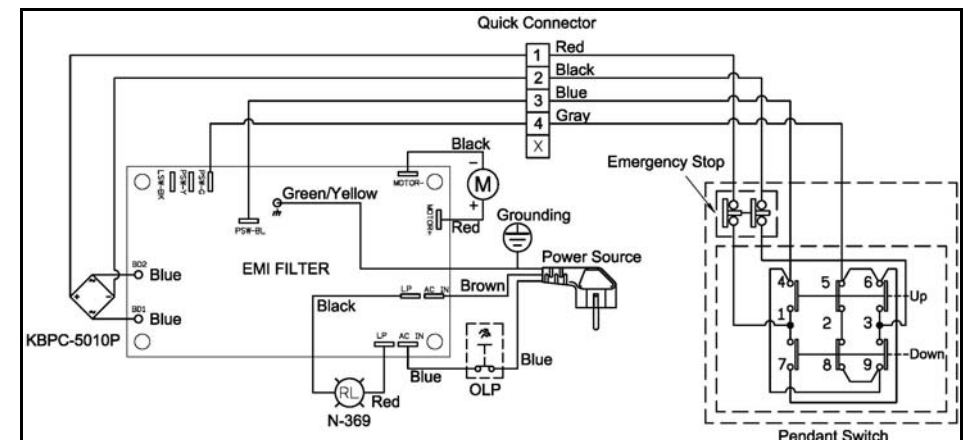


► Wire rope

1. Insert the wire rope from point A, along with drum, exit from point B and insert the wire rope into pulley and exit from point C, going through point D, and finally fixed the wire rope with wire rope clamp.
2. Wire rope clamp need to be fastened tightly.



► Wiring Diagram



Warning

- The winch is not intended to be used in any manner for the movement or lifting of personnel.

Part List

Item No.	Description	Part No.	Qty
1	Motor kit	883699	1
2	Motor support rack kit	883761	1
3	Brake base kit	883647	1
4	Brake kit	883648	1
5	Ratchet stopper kit	883649	1
6	Motor fix plate kit	883650	1
7	Drum kit	883651	1
8	Swivel hoist hook	883652	1
9	Tie bar kit A	883653	1
10	Tie bar kit B	883701	1
11	Head pin	883655	1
12	Wheel kit	883656	1
13	Guide block kit	883657	1
14	Gearbox fix plate kit	883658	1
15	1 st shaft	883659	1
16	3 rd stage carrier	883660	1
17	2 nd stage carrier	883661	1
18	1 st stage carrier	883662	1
19	1 st pinion kit	883663	1
20	Gear box kit	883762	1
21	Tie bar kit	883690	1
22	clevis hook	883706	1
23	Lower plate	880536	1
24	Control panel w/lead 3 round pins plug	883703	1
25	Terminal upper cover kit	882415	1
26	Remote control,PB-417	883140	1
27	Wire rope	883704	1
28	wire rope clip	883705	1

Hoist Assembly

