

Compact Winch Model: CWS-230

PN:421517 220V 421820 230V

Introduction

► Feature

- Lifting capacity: 230 kg wire rope top layer
- Lifting height: 24 m
- Lifting speed: 9 – 14 m/min
- Brake: Electromagnetic and mechanical ratchet
- Limit protection: Lifting and lowering limiters
- Control: Pendant switch powers the winch

► Unpacking

- Winch assembly 1pc
- Wire rope 5 mm x 25 m 1pc
- Weight hook CHW-0033 1pc
- Power lead 1.5 mm² x 3C x 5 m and plug 1pc
- Pendant switch CPB-313 w/cord 1.25 mm² x 6C x 10 m 1pc

► Read this manual carefully

You should carefully read and understand this manual before operating it. Careless winch operation may result in personal injury hazards or property damage.

► Information requesting or parts ordering

Please specify the followings information:

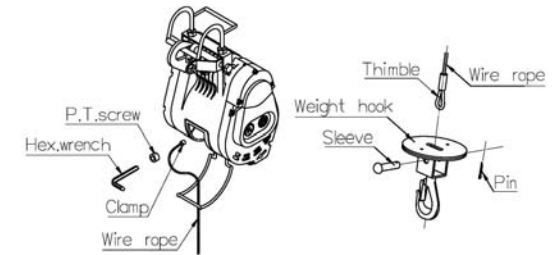
- Winch PN
- Serial number
- Part description
- Replacement part number
- Quantity for each part

Installation

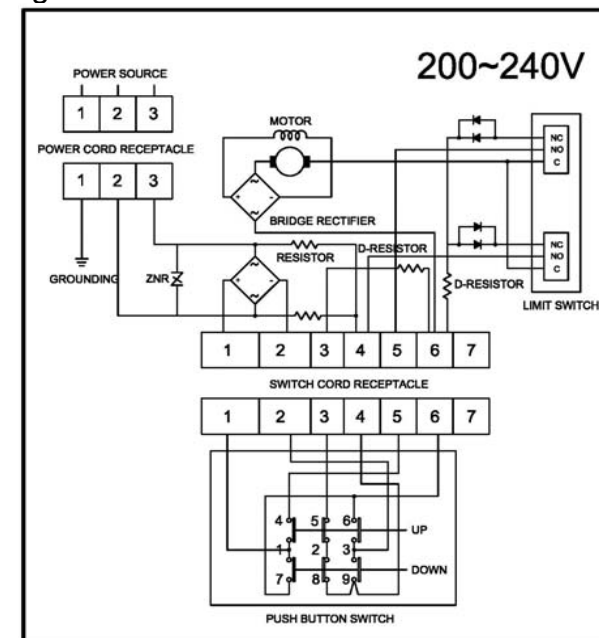
Before using the winch, make sure all electrical components have no corrosion or damaged; the environment should be clear and dry.

► Wire rope replacement

- Put a new wire rope through the hole of the round plate of swivel hook.
- Insert a sleeve pin through the thimble of wire rope.
- Insert a pin through the sleeve pin and bent it by a pliers.
- Let a new wire rope w/clamp through the limit lever and insert it into the hole of the drum.
- Put a P.T. screw into the hole of the drum and tighten it by a hexagon wrench.
- Press the ↑ button to rotate the drum in the lifting direction.
- An uneven winding of wire rope may cause the load to be swing, thus damaging the rope and reducing its life.



► Wiring Diagram



Warning

- The winch is not intended to be used in any manner for the movement or lifting of personnel.
- The lifting capacity shown is based on the top layer of rope on the drum.
- The rope winding on the drum shall remain 5 wraps from the drum.

Parts List

| Item No. | Description | Part No. | Qty |
|----------|--------------------------------|----------|-----|
| 1 | Gearbox rear cover kit | 880493 | 1 |
| 2 | Ratchet stopper kit | 880547 | 1 |
| 3 | Brake kit | 881507 | 1 |
| 4 | 1 st gear kit | 881498 | 1 |
| 5 | 3 rd gear kit | 881508 | 1 |
| 6 | 4 th gear kit | 880500 | 1 |
| 7 | Gear box kit | 880470 | 1 |
| 8 | Hanger kit | 880476 | 1 |
| 9 | Carbon brush holder | 880472 | 1 |
| 10 | Carbon brush 100V~240V | 880473 | 2 |
| 11 | Over-winding bracket kit | 880503 | 1 |
| 12 | Wire rope | 880960 | 1 |
| 13 | Weight hook CHW-0033 | 880505 | 1 |
| 14 | Armature core 220/230V | 880973 | 1 |
| 15 | Cooling cover | 881500 | 1 |
| 16 | Armature winding 220/230V | 880513 | 1 |
| 17 | Motor rear cover | 880477 | 1 |
| 18 | Reverse winding shaft kit | 880478 | 1 |
| 19 | Output shaft kit | 880507 | 1 |
| 20 | Drum kit | 881501 | 1 |
| 21 | Control panel 220~240V | 881255 | 1 |
| 21-1 | D type resistor 220~240V | 883328 | 1 |
| 21-2 | Limit switch | 881503 | 2 |
| 21-3 | Diode | 881504 | 2 |
| 21-4 | D type resistor 220~240V | 883329 | 1 |
| 22 | Rubber packing | 880483 | 1 |
| 23 | Electric cover kit | 880511 | 1 |
| 24 | Power lead w/3 round pins plug | 880492 | 1 |
| 25 | Remote control , CPB-313 | 880486 | 1 |

Winch Assembly

